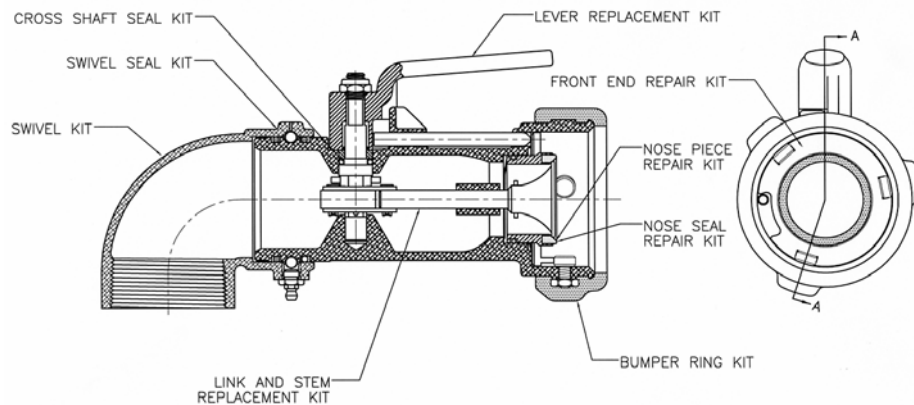


# DRY-BREAK II™ PRODUCT BULLETIN

## J72 & J79 COUPLER & ADAPTER REPAIR KITS (C & D VERSIONS)



Each kit includes an instruction sheet and all components and consumables needed to repair the specific wear zone. The part number is prominently displayed for easy stock identification. Below is a summary of the usage and key content of each type of KIT (*All Kits include Silicone Oil, Diagram, and Instruction Sheet*):

**Front End Repair Kits (Major):** For rebuilding the front end of the coupler. Contains Wave spring, O-Ring, Wave washer, Interlock plate, Interlock Pin, Bayonet Studs and Lock Nuts (3 or 4 for 4-pin models), Bumper Ring, Nose Seal, Nose Piece, Cotter Pin, and Coiled Spring Pin.

**Front End Repair Kits (Minor – Soft Parts):** For repairing the front end of the coupler. Contains Wave spring, O-Ring, Wave washer, Bayonet Studs and Lock Nuts (3 or 4 for 4-pin models), Bumper ring, Nose seal, Cotter Pin, and Coiled Spring Pin.

**Nose Seal Kit:** For replacing the Nose Seal. Contains Nose seal, O-Ring, and Cotter Pin.

**Nose Piece Kit:** For replacement of a damaged poppet and nosepiece. Contains Nose Piece, Nose Seal, O-Ring, Poppet, and Cotter Pin.

**Bumper Ring Kit:** For replacing bumper rings that are worn or damaged. Contains 4 Bumper rings

**Cross Shaft Seal Kit:** For repairing leaks in the cross-shaft area. “C” Version Stainless Contains O-Ring, Nylock Nut, E-clip, Bearing (2), Washer, Inner Bearing, and Collar. “D” Version Aluminum contains O-Ring, Nylock Nut, Groove Pin, Roll Pin, and Follower.

**Lever Replacement Kit:** For replacing the lever and cross-shaft. Contains Lever, cross shaft and contents of “Cross Shaft Seal Kit” (see above).

**Link & Stem Replacement Kit:** For complete replacement of a damaged Link & Stem Assembly. Contains Link & Stem Assembly and contents of “Cross Shaft Seal Kit” (see above).

**Swivel Seal Kit:** For complete repair and rebuilding of either 90° or straight Swivel. Contains Dust seal O-Ring, Liquid seal O-Ring, Grease Fitting, Ball bearings (6), Bearing Strip, Ball Retainer Screw, and gasket (ISO / BSPP versions only).

**Swivel Replacement Kit:** For complete replacement of either 90° or straight Swivel. Contains Swivel Body, and contents of “Swivel Seal Kit” (See above).

**Adapter Repair Kit:** For all adapter repairs. Contains Seal O-Ring, Valve Spring, and where applicable, Screw, Retaining Ring, Nylon Insert, and/or Nylon Washer.

## COUPLERS

To determine the applicable repair kits for your coupler, find the part number in the list at the left-hand side. Then follow the line to determine the kit part number. For example, the cross shaft seal kit for J72C-SVN0-C is 800944.

### "C" Versions

Coupler	Nose Seal Kit	Front End Kit (Minor)	Front End Kit (Major)	Nose Piece Kit	Cross Shaft Seal Kit	Lever Replacement Kit	Link & Stem Replacement Kit	Swivel Seal Kit	Swivel Replacement Kit	Bumper Ring Kit
J72C-SBN0-C	800412	800909	800272	800284	800942	800950	800948			22785
J72C-SBN0-C010	800412	800284	800920	800917	800942	800950	800948			800951
J72C-SPI0-C	800414	800912	800285	800293	800956	800957	800958			299785
J72C-SFN0-C	800414	800912	800285	800293	800986	800957	800958			299785
J72C-SVI0-C	800413	800911	800288	800280	800944	800945	800947			299785
J72C-SVN0-C	800413	800911	800288	800280	800944	800945	800947			299785
J72C-SVN1-C	800413	800911	800288	800280	800944	800945	800947		6226-4047	299785
J72C-SVN1-C010	800413	800913	800916	800280	800944	800945	800947		6226-4047	800951

### "D" Versions

Coupler	Nose Seal Kit	Front End Kit (Minor)	Front End Kit (Major)	Nose Piece Kit	Cross Shaft Seal Kit	Lever Replacement Kit	Link & Stem Replacement Kit	Swivel Seal Kit	Swivel Replacement Kit	Bumper Ring Kit
J72C-ABI0-D	800412	800174	299780	299813	299786	299789	299796			299785
J72C-ABI1-D	800412	800174	299780	299813	299786	299789	299796	800532	299807	299785
J72C-ABI1-D003	800412	800174	299780	299813	299786	299789	299796	800532	299807	299785
J72C-ABI2-D	800412	800174	299780	299813	299789	299789	299796	800533	299805	299785
J72C-ABI2-D003	800412	800174	299780	299813	299786	299789	299796	800533	299805	299785
J72C-ABN0-D	800412	800174	299780	299813	299786	299789	299796			299785
J72C-ABN0-D001	800412	800174	299780	299813	299786	299794	299796			299785
J72C-ABN1-D	800412	800174	299780	299813	299786	299789	299796	299801	299811	299785
J72C-ABN1-D003	800412	800174	299780	299813	299786	299789	299796	299801	299811	299785
J72C-ABN2-D	800412	800174	299780	299813	299786	299789	299796	299803	299809	299785
J72C-ABN2-D002	800412	800176	299782	299815	299786	299789	299796	299803	299809	299785
J72C-ABN2-D003	800412	800174	299780	299813	299786	299789	299796	299803	299809	299785
J72C-APN0-D	800414	800983	800984	800985	299788	800986	800987			299785
J72C-AVI0-D	800413	800175	299781	299814	299787	299790	299797			299785
J72C-AVI1-D	800413	800175	299781	299814	299787	299790	299797	800536	299808	299785
J72C-AVI1-D003	800413	800175	299781	299814	299787	299790	299797	800536	299808	299785
J72C-AVI2-D	800413	800175	299781	299814	299787	299790	299797	800537	299806	299785
J72C-AVI2-D003	800413	800175	299781	299814	299787	299790	299797	800537	299806	299785
J72C-AVN0-D	800413	800175	299781	299814	299787	299790	299797			299785
J72C-AVN0-D001	800413	800175	299781	299814	299787	299795	299797			299785
J72C-AVN0-D002	800413	800177	299783	299816	299787	299790	299797			299785
J72C-AVN0-D003	800413	800175	299781	299814	299787	299790	299797			299785
J72C-AVN0-D008	800413	800175	299781	299814	299787	299790	299797			299785
J72C-AVN1-D	80413	800175	299781	299814	299787	299790	299797	299802	299812	299785
J72C-AVN1-D002	800413	800177	299783	299816	299787	299790	299797	299802	299812	299785
J72C-AVN1-D003	800413	800175	299781	299814	299787	299790	299797	299802	299812	299785
J72C-AVN2-D	800413	800175	299781	299814	299787	299790	299797	299804	299810	299785
J72C-AVN2-D001	800413	800175	299781	299814	299787	299795	299797	299804	299810	299785
J72C-AVN2-D003	800413	800175	299781	299814	299787	299790	299797	299804	299810	299785

**ADAPTERS:** Listed below are the repair kits that are now available for Adapters.

ADAPTER	REPAIR KIT
J1302 & J1304 VITON OR BUNA	800529
J72 & J79 ALUM. OR BRASS BUNA VERSION A	494118
J72 & J79 ALUM. OR BRASS VITON VERSION A	494119
J72 & J79 ALUM. OR BRASS BUNA VERSION B	800300
J72 & J79 ALUM. OR BRASS VITON VERSION B	800303
J72 STAINLESS VITON VERSION A	800331
J72 STAINLESS CHEMRAZ VERSION A	800333
J72 STAINLESS VITON VERSION B	800834
J72 STAINLESS CHEMRAZ VERSION B	800833

Better by  
Design

**EMCO WHEATON**

A Gardner Denver Product

EMCO WHEATON CORP.

2480 Bristol Circle, Oakville, Ontario, Canada, L6H 5S1

Tel: 905-829-8619 Fax: 905-829-8620

www.emcowheaton.com