

Get ready, get set

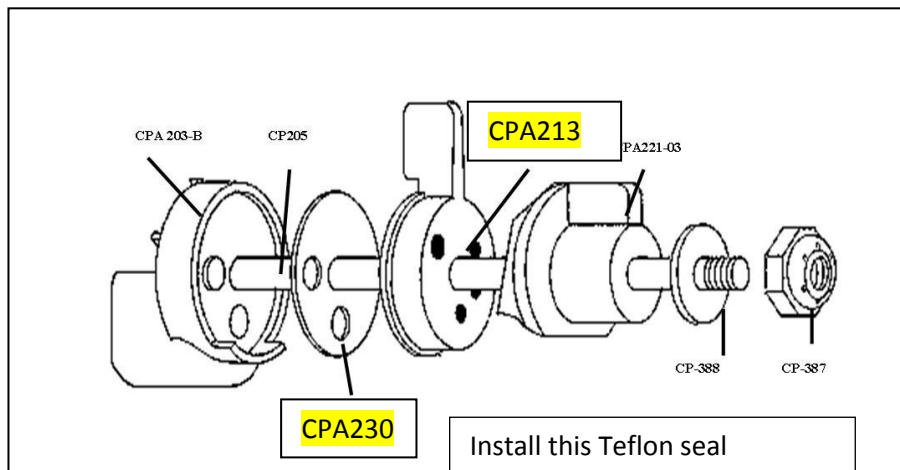


Calibration season is soon here – do you have the parts you need to maintain your CP products? We've made some recommendations for parts on hand for proper maintenance.

Use this form to indicate quantity you want and send this back to us.

(Note all o-rings & seals come in bags of 50) Fax: 306-786-7840 or email Cheryl@yorktonaircraft.com.

CP03 Nozzle



Install this Teflon seal properly! The beveled edge goes against nozzle body

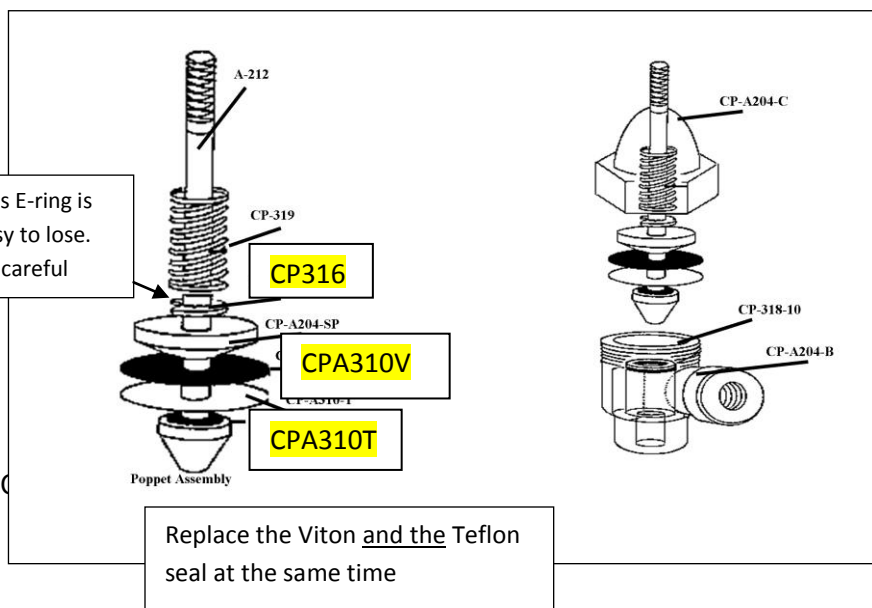
Recommended Parts:

Complete Assembly p/n CP03

CPA213, Poly Selector

CPA230, Teflon Seal: sold in bags of 50

CP04 Check Valve



Recommended Parts:

Complete Assembly p/n CP-04

CPA316, E ring (SS)

CPA310V, Viton Seal: sold in bags of 50

CPA310T, Teflon Seal: sold in bags of 50

More CP Models...

A NOTE ABOUT CP230-CAR: In order to install the seal the customer needs to give them a slight bend in the center with their thumb. Then guide the seal into place it may look out of line however when the selector is tightened down the seal will fall into place creating the necessary seal. They are to be tightened down with 15 inch lbs of torque.

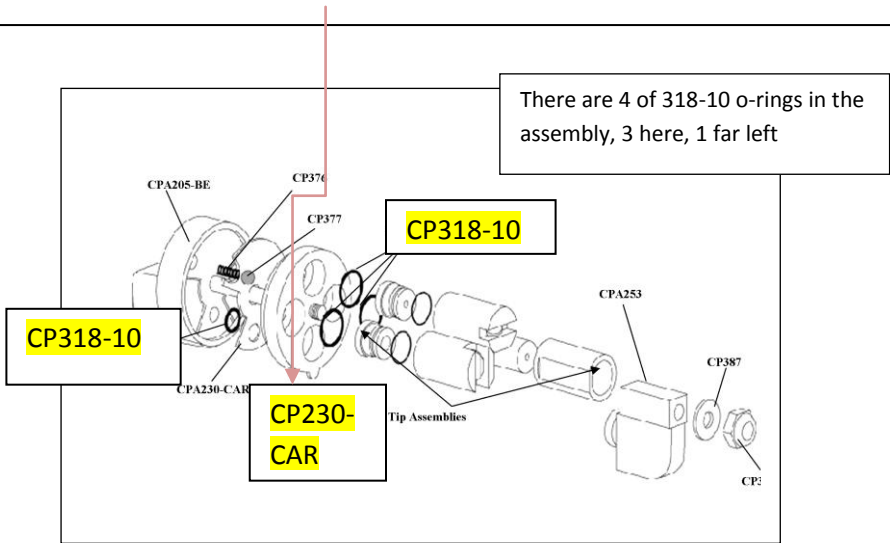
CP Flat Fan

Recommended Parts:

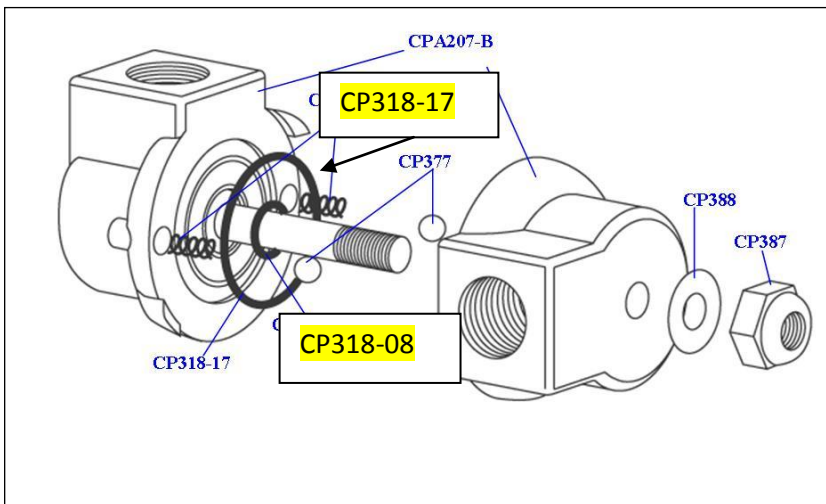
Complete Assembly p/n CP-11TT

CP318-10 Viton O-ring sold in bags of 50

CP230-CAR Teflon Seal sold in bags of 50



CP Swivel



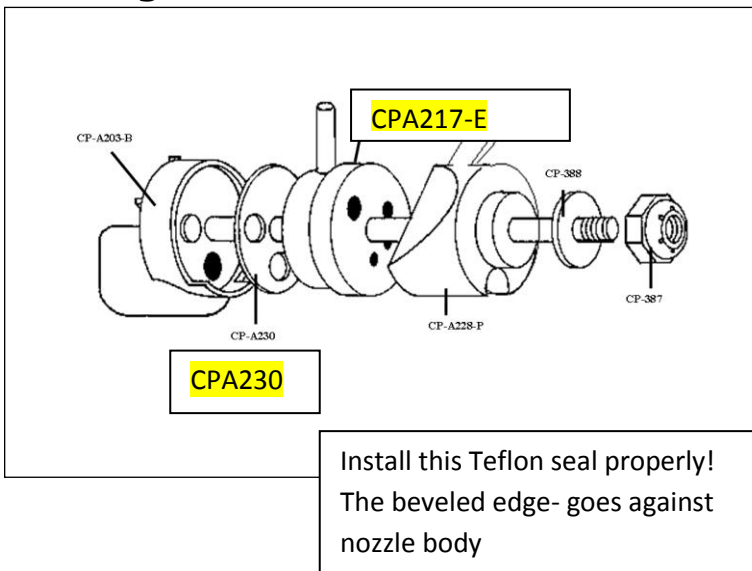
Recommended Parts:

Complete Assembly p/n CP-06

CP318-17, Viton O-ring: sold in bags of 50

CP318-08, Viton O-ring: sold in bags of 50

CP Straight Stream



Recommended Parts:

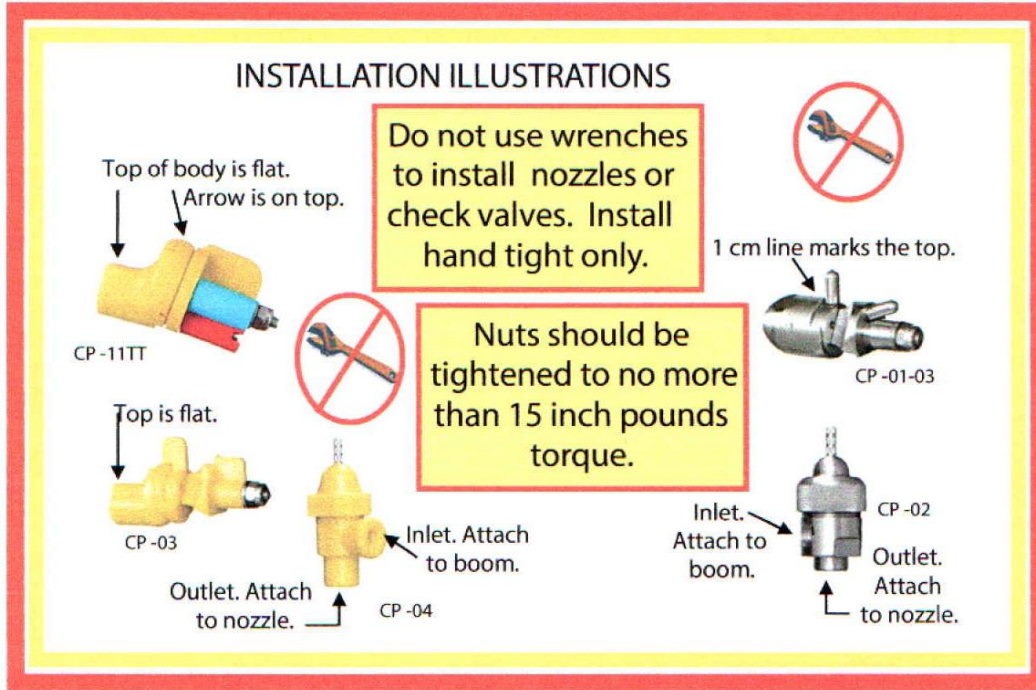
Complete Assembly, p/n CP-09-3E
Poly with Stainless Selector/ Deflector

Complete Assembly, p/n CP-09-3P
Poly with Stainless Selector, Poly Deflector

Complete Assembly
Stainless p/n CP-07-3E

CPA217-E Stainless Selector

CPA230, Teflon Seal, sold in bags of 50



Using Brass Check Valves?



Recommended Parts:

Complete Assembly

Diaphragms: Viton or Fairprene

End cap

Retainer

Please call or email for pricing.

Some more CP tips:

Installation:

- Mount CP-01, CP-03, CP-07 and CP-09 nozzles so that liquid is released parallel to the air stream in non-turbulent areas on the spray boom.
- CP-11TT flat fan nozzle bodies have a built-in 8° down angle. This flat fan nozzle may be angled using the swivel more sharply into the airstream depending on droplet spectrum desired.
- Use hand pressure only when installing nozzles and check valves. Do not use wrenches.
- Check tension on each nozzle and check valve cap after installation. Tension should be loose enough on the nozzle to allow changing of orifice or deflector by hand but tight enough to prevent movement once set. Check valve cap should be tight.
- Check nozzles for tightness each day for several days after initial installation. Once the components "seat", daily checks are not required, but it is still good practice.
- Use blocked tees on outermost nozzles at each end of boom. Feed these nozzles from end of boom through 3/8th (no smaller than 5/16th) line. This prevents air build-up at the boom tip and ensures proper check valve function.

Maintenance

Look for worn out nozzles, worn or distorted tips or orifices, marred deflector surfaces.

Set nozzle to largest orifice and pull stem on check valve to flush debris when dripping or leaking occurs.

If the white Teflon® seal between the body and selector or tip wheel is scratched or scored, it will not seal properly and the nozzle will leak. When replacing this seal, the bevelled edge goes against the nozzle body.

Be sure aircraft boom and pump filters and mix station filters are working properly. Poorly designed or maintained systems can cause leaking problems.

Be sure aircraft boom and pump filters and mix station filters are working properly. Of course you know but we will say it anyway: poorly designed systems or poor maintenance result in leaking systems.



WE'RE THERE
TO KEEP YOU
IN THE AIR

Toll Free: 1.800.776.4656
Web: yorktonaircraft.com
Email: cheryl@yorktonaircraft.com